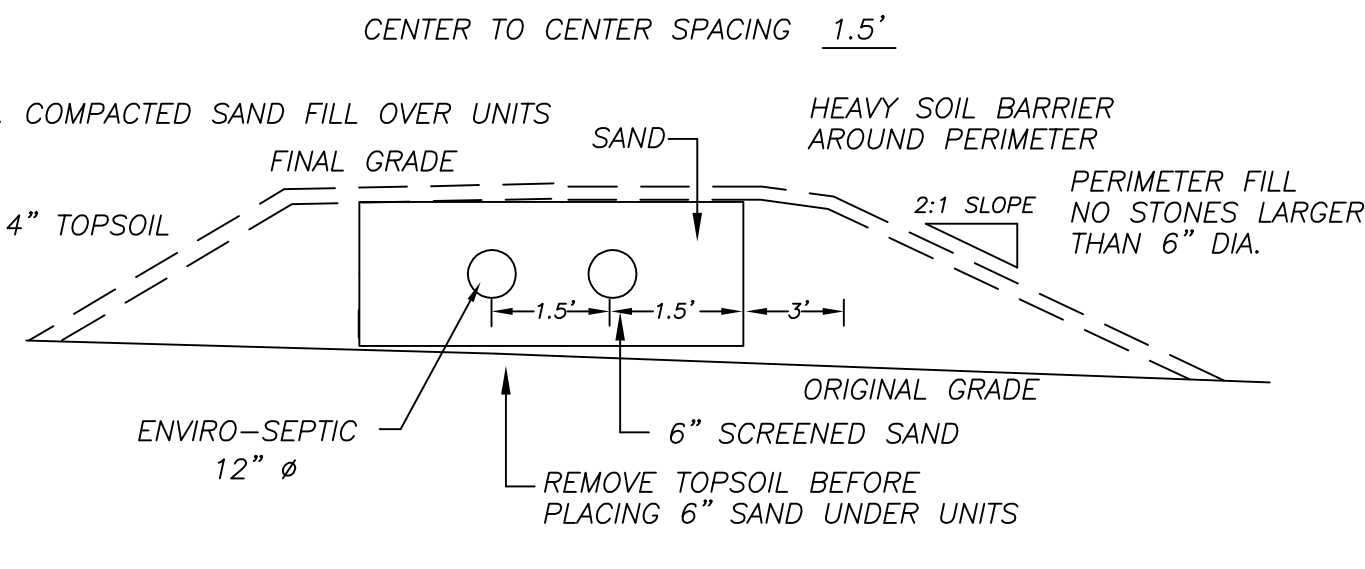


TYPICAL PROFILE OF PROPOSED SANITARY SYSTEM

NOT TO SCALE

- INSTALLATION OF ALL ENVIRO-SEPTIC SYSTEMS IS TO BE IN STRICT ACCORDANCE WITH THE ENVIRO-SEPTIC DESIGN & INSTALLATION HANDBOOK FOR THE STATE OF NEW HAMPSHIRE, LATEST REVISION.
- ENDS OF LEACH FIELD UNITS ARE TO BE CONNECTED WITH 4" PVC PIPE OR CAPPED.

ENVIRO-SEPTIC WASTEWATER TREATMENT SYSTEMS ARE APPROVED BY NHDES AS ITA #2008-03-10 IN ACCORDANCE WITH PART ENV-WQ 1024. THIS SYSTEM IS DESIGNED IN ACCORDANCE WITH THE NEW HAMPSHIRE ENVIRO-SEPTIC MANUAL.



TYPICAL CROSS SECTION

NOT TO SCALE

LEACH BED REQUIREMENTS

PERC. RATE: 1" PER 10 MINUTES

NUMBER OF BEDROOMS: 3

150 GPD PER BDRM. = 450 GPD TOTAL
 LINEAR FT. OF ENVIROSEPTIC REQUIRED 165
 LINEAR FT. OF ENVIROSEPTIC PROVIDED 210
 CONFIGURATION USED 7 LINES OF 30' PIPE

LEACH BED SIZE: 10' X 30'

DESIGN INTENT: BOTTOM OF LEACH BED

THE BOTTOM OF THE EFFLUENT DISPOSAL AREA SHALL BE CONSTRUCTED AT XXX ELEVATION. THERE IS APPROXIMATELY XXX FEET ABOVE ORIGINAL GROUND ON THE HIGH CONTOUR OF THE DESIGNED EFFLUENT DISPOSAL AREA. THE BED BOTTOM IS 2.5' ABOVE SEASONAL HIGH WATER TABLE AND LEDGE DEPTH OVER 50% OF THE FIELD (50% RULE USED)

BED BOTTOM PREPARATION & FILL SPECIFICS

- CHECK DESIGN INTENT AND VERIFY THE ELEVATION OF EXISTING GROUND - UPSLOPE SIDE - BEFORE DISTURBING SITE. "DESIGN INTENT" MUST BE MAINTAINED.
- REMOVE ALL TREES, BRUSH, BOULDERS, AND DEBRIS FROM THE AREA TO BE FILLED.
- REMOVE TOPSOIL IN FILL AREA. LEAVE SUBSOIL IN PLACE. DO NOT COMPACT SUBSOIL WITH MACHINERY. SCARIFY, AS NEEDED BEFORE FILLING. THIS IS BEST DONE WITH THE TEETH OF AN EXCAVATOR. SCARIFY PARALLEL WITH CONTOURS, WORKING FROM THE CENTER OUTWARD.
- FILL TO RAISE THE SYSTEM AND FOR SIDE SLOPES TO MEET THE FOLLOWING SPECIFICATION: MEDIUM TO COARSE TEXTURED SAND NO GREATER THAN 2% PASSING THE NUMBER 200 SIEVE, AND NO PARTICLES LARGER THAN 3/4 INCHES.
- SAND FILL TO BE PUSHED ONTO PREPARED SURFACE FROM THE SIDE. DO NOT ALLOW MACHINERY ON THE NATURAL SOIL SURFACE. PLACE FILL IN 12" LOOSE LAYERS USING TRACK TYPE TRACTOR WITH BLADE. ALWAYS KEEP A MINIMUM OF 9" OF FILL MATERIAL BENEATH TRACKS OF TRACTOR TO MINIMIZE COMPACTION OF NATURAL SOIL. EACH LAYER SHALL BE SPREAD IN UNIFORM THICKNESS PRIOR TO PLACING NEXT LAYER. CONTINUOUS GRADING AND SHARPING SHALL BE CARRIED OUT TO ASSURE UNIFORM DENSITY THROUGHOUT EACH LAYER.
- BACKFILL MATERIAL TO BE CLEAN, PERMEABLE SOIL, FREE OF ORGANICS, ROOTS, STUMPS, AND STONES GREATER THAN 6". SAND IS RECOMMENDED.
- PLACE 6" TOPSOIL BLANKET AROUND SIDE SLOPES.
- ENTIRE FILLED AREA SHOULD BE LOAMED AND SEEDS AS SOON AS POSSIBLE AFTER BACKFILLING TO PREVENT EROSION.
- FINISH GRADE OVER SYSTEM SHOULD BE SLIGHTLY CROWNED TO PROMOTE RUNOFF.
- BACKFILL DEPTH OVER SYSTEM TO BE 12"-18".

4" SOLID PIPE LAID LEVEL WITH TIGHT JOINTS TO BE USED LEADING FROM DISTRIBUTION BOX TO LATERAL LEACHING LINES.

ALL PIPING OUTSIDE OF THE LEACHING AREA SHALL BE WATER TIGHT.

THE INSTALLED SYSTEM SHALL BE LEFT EXPOSED UNTIL INSPECTED BY A REPRESENTATIVE OF THE N.H.D.E.S.

NO SURFACE WATER OR WELLS WITHIN 75' OF SEPTIC SYSTEM.

THIS SYSTEM MUST BE INSTALLED IN STRICT ACCORD WITH THE APPROVED PLAN; ANY CHANGES MUST BE APPROVED BEFORE ANY CONSTRUCTION IS STARTED; ANY DISCREPANCIES IN THE APPROVED PLANS AND THE ACTUAL SITE CONDITIONS MUST BE REPORTED BY THE INSTALLER TO THE DESIGNER PRIOR TO CONSTRUCTION.

IT IS RECOMMENDED THAT THE SEPTIC TANK BE PUMPED EVERY TWO YEARS; DO NOT PUMP GREASE, OIL, OR STRONG CHEMICALS INTO SEPTIC SYSTEM; DO NOT PARK OR DRIVE VEHICLES OVER LEACH FIELD.

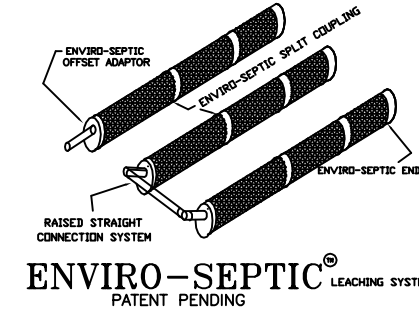
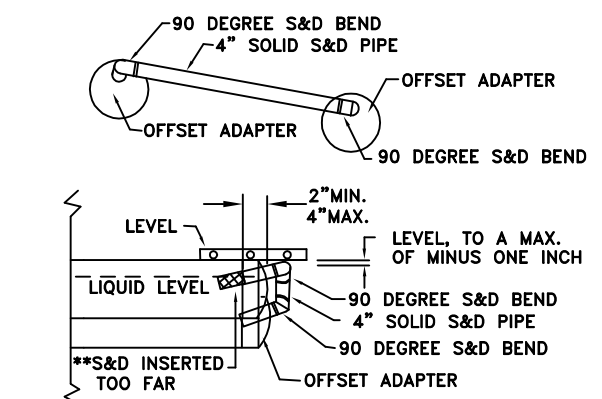
BLAISDELL SURVEY, LLC ASSUMES NO LIABILITY IN THE PREPARATION OF THIS PLAN WITH RESPECT TO INSTALLATION AND OPERATION UNLESS CONTRACTED TO INSPECT AND APPROVE ALL MATERIALS AND PROCEDURES USED TO INSTALL SYSTEM AS DESIGNED AND TO CERTIFY SAID INSTALLATION.

THIS IS NOT A BOUNDARY SURVEY. IT IS UP TO THE OWNER TO SEE IF LOCAL ZONING ORDINANCES HAVE BEEN MET.

SYSTEM MUST BE INSTALLED IN STRICT ACCORDANCE WITH THE MANUFACTURER'S INSTRUCTIONS. ENVIRO-SEPTIC FILL REQUIREMENTS MUST BE MET. SEE PAGE 11 OF ENVIRO-SEPTIC INSTALLATION MANUAL FOR SYSTEM SAND REQUIREMENTS.

IN THE EVENT OF FUTURE SYSTEM FAILURE REPLACEMENT OF THE SYSTEM SHALL BE CONSTRUCTED IN THE SAME AREA AS THE ORIGINAL SYSTEM, AS DESIGNED, AFTER CONTAMINATED MATERIALS HAVE BEEN REMOVED

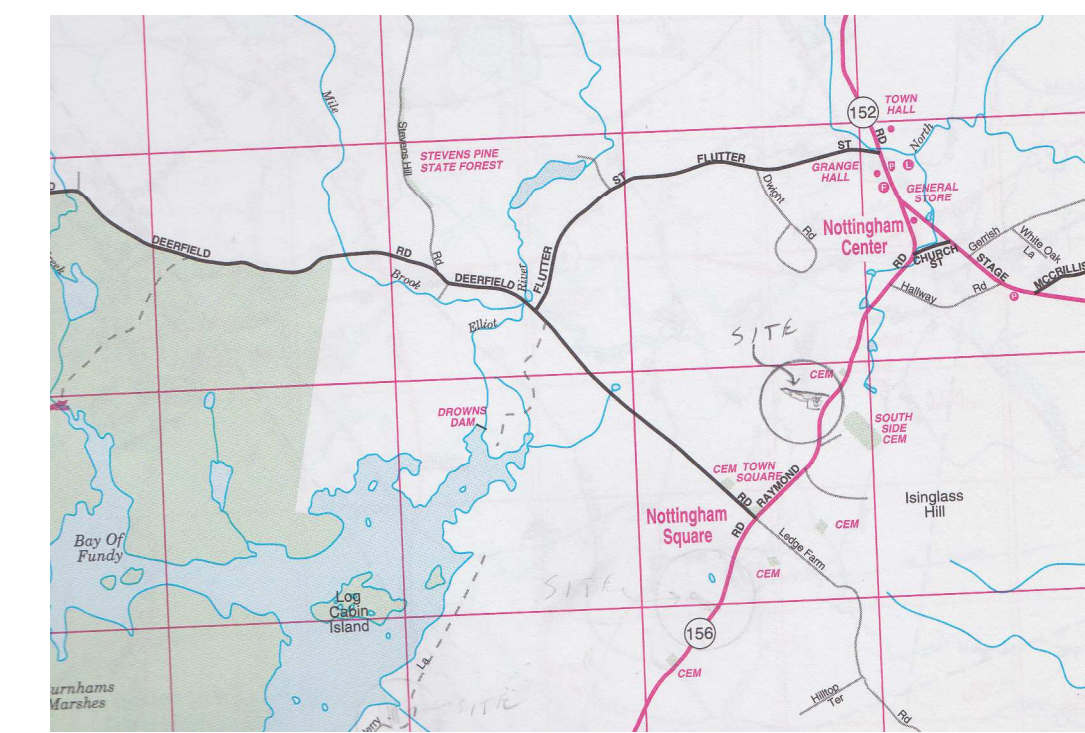
RAISED STRAIGHT CONNECTION SYSTEM



SOILTYPE 446D
 SUITABLE NEWFIELDS COMPLEX
 9 TO 89 SLOPES
 BASED ON THE WEB SOIL SURVEY

TEST PIT DATA:

DATE:	5-2-17
0"	DARK BROWN FINE SANDY LOAM FRIABLE 10YR 3/3
10"	DARK YELLOWISH BROWN FINE SANDY LOAM FRIABLE 10YR 4/6
19"	LIGHT OLIVE BROWN FINE SANDY LOAM FRIABLE 2.5Y 5/6
30"	LIGHT OLIVE BROWN LOAMY SAND FRIABLE 2.5Y 5/3
50"	GRAVEL THROUGHOUT PROFILE
ROOTS TO	25"
LEDGE AT	NONE
WATER AT	40"
S.H.W.T. EST. @	30"
HARDPAN NONE TO	50"
PERC TEST	10 MIN./IN. AT 28"



VICINITY PLAN

SUBSURFACE SEPTIC DESIGN FOR LOT NO. 16 TAX MAP 53

UNKNOWN SUBDIVISION

SITUATED IN THE TOWN OF NOTTINGHAM

NOTTINGHAM

STATE OF NH.-DES. - S.S.D. SUBDIVISION APPROVAL NO. N/A PRE 1967 LOT

OWNER: MATTHEW & DIANE SHRAMEK

17 FAITH ROAD

DERRY, NH 03038

(603) 231-9476

PROPERTY LOCATION: 35 RAYMOND ROAD

APPLICANT: BLAISDELL SURVEY, LLC

22 SCRIPNER ROAD, RAYMOND, NH 03071

PHONE: (603) 895-9947

DESIGNER PERMIT NO. 1439

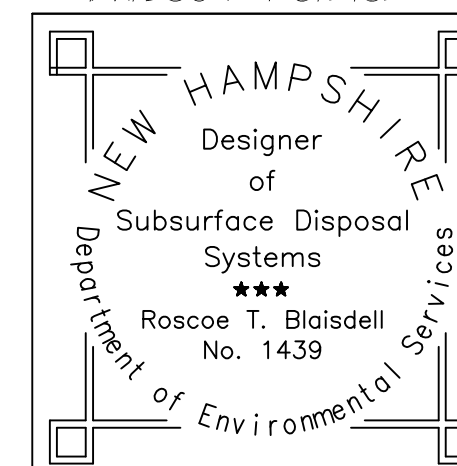
RBLAISDELL@COMCAST.NET

DATE: 5/03/17

SCALE: 1"=20'

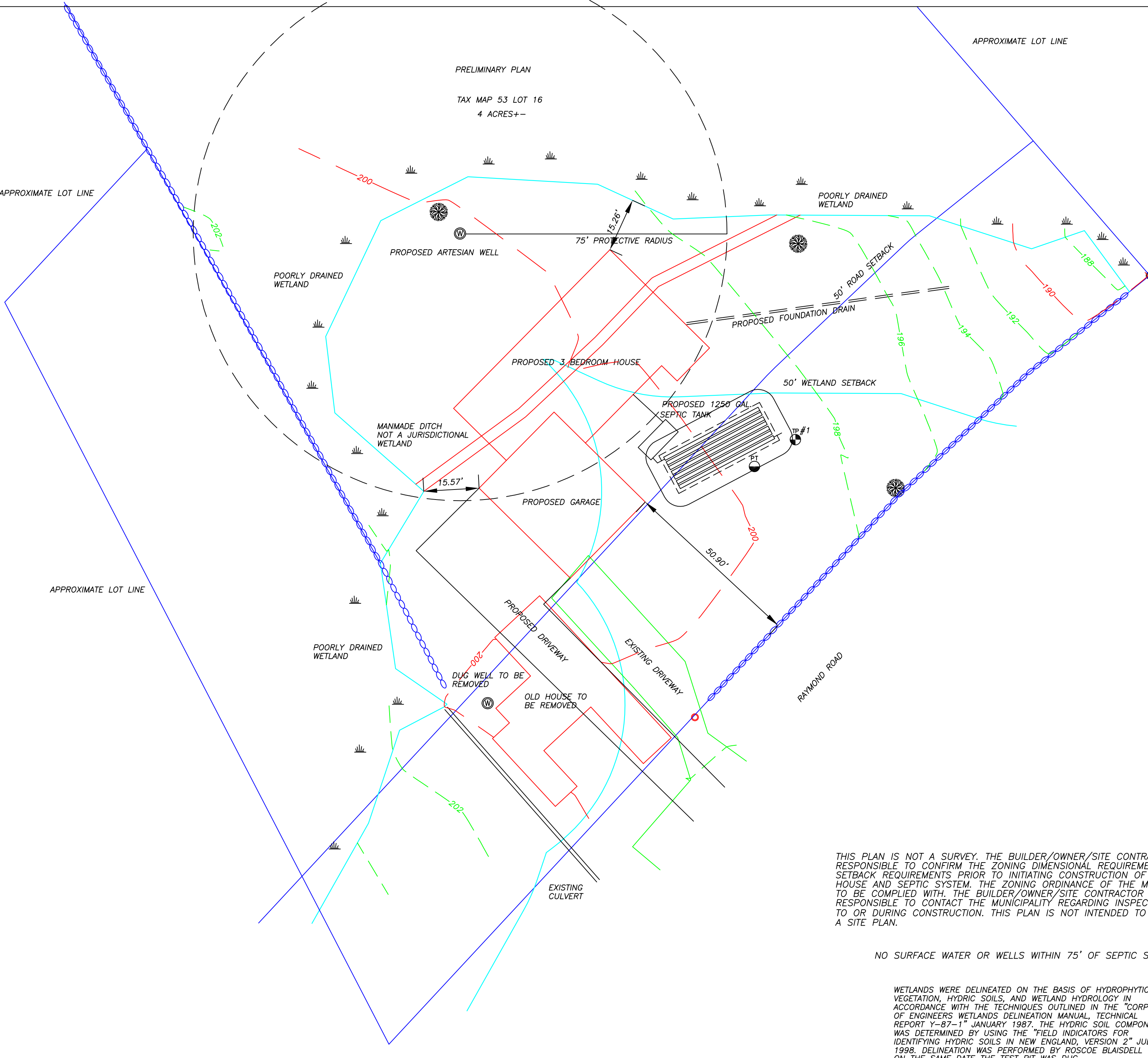
FB #32

JOB #2518



- INLET AND OUTLET JOINTS TO SEPTIC TANK ARE TO BE SEALED WITH A NON-SHRINK MORTAR AND WATER PROOFED.
- ALL INVERT ELEVATIONS AND GRADES ARE REFERENCED FROM T.S.M.
- SEPTIC TANK TO BE SUPPLIED BY TO BE CHOSEN BY INSTALLER
- DESIGNER SHALL BE NOTIFIED OF ANY CONDITIONS CONTRARY TO THOSE DEPICTED ON THIS PLAN.

5. THIS SYSTEM IS NOT DESIGNED FOR THE USE OF GARBAGE DISPOSAL UNITS OR WATER SOFTENERS. IF EITHER ARE TO BE INSTALLED, CALL DESIGNER IMMEDIATELY.



THIS PLAN IS NOT A SURVEY. THE BUILDER/OWNER/SITE CONTRACTOR IS RESPONSIBLE TO CONFIRM THE ZONING DIMENSIONAL REQUIREMENTS AND SETBACK REQUIREMENTS PRIOR TO INITIATING CONSTRUCTION OF THE PROPOSED HOUSE AND SEPTIC SYSTEM. THE ZONING ORDINANCE OF THE MUNICIPALITY IS TO BE COMPLIED WITH. THE BUILDER/OWNER/SITE CONTRACTOR IS ALSO RESPONSIBLE TO CONTACT THE MUNICIPALITY REGARDING INSPECTIONS PRIOR TO OR DURING CONSTRUCTION. THIS PLAN IS NOT INTENDED TO BE USED AS A SITE PLAN.

NO SURFACE WATER OR WELLS WITHIN 75' OF SEPTIC SYSTEM.

WETLANDS WERE DELINEATED ON THE BASIS OF HYDROPHYTIC VEGETATION, HYDRIC SOILS, AND WETLAND HYDROLOGY IN ACCORDANCE WITH THE TECHNIQUES OUTLINED IN THE "CORPS OF ENGINEERS WETLANDS DELINEATION MANUAL, TECHNICAL REPORT Y-87-1" JANUARY 1987. THE HYDRIC SOIL COMPONENT WAS DETERMINED BY USING THE "FIELD INDICATORS FOR IDENTIFYING HYDRIC SOILS IN NEW ENGLAND, VERSION 2" JULY 1998. DELINEATION WAS PERFORMED BY ROSCOE BLAISDELL ON THE SAME DATE THE TEST PIT WAS DUG.